

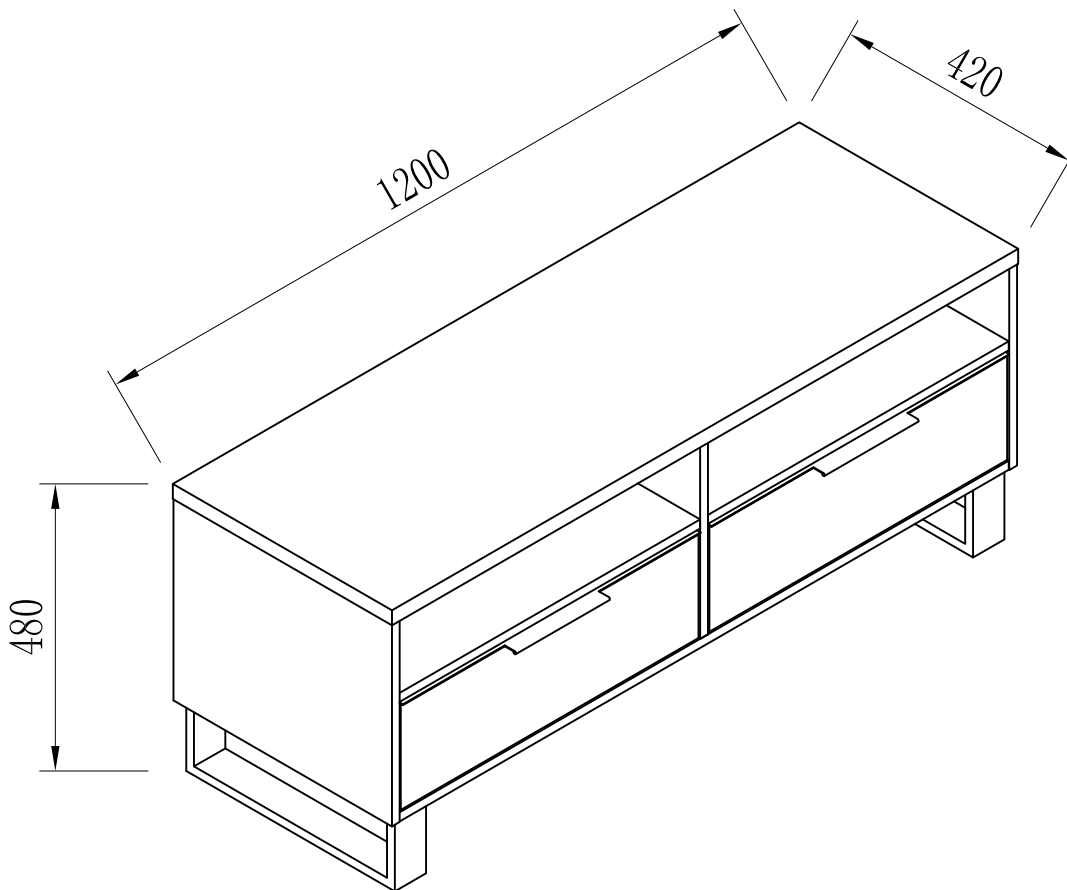


ASSEMBLY INSTRUCTION
GLACIAL SMALL
ENTERTAINMENT UNIT
ITEM CODE 67902

Imported by Amart Furniture Pty Ltd.Qld.Brisbane Australia.

For any assistance with assembly or for missing parts please phone

Amart Furniture, Customer Service Free call 1800 351 084



Imported by Amart Furniture Pty Ltd.Qld.Brisbane Australia.

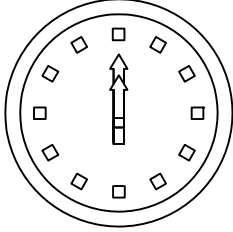
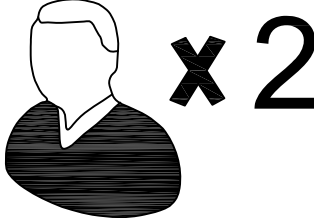

For any assistance with assembly or for missing parts please phone Amart Furniture,
Customer Service Free call 1800 351 084

67902

PRE-ASSEMBLY PREPARATION

Before you start:

1. Choose a clean, level, spacious assembly area. Avoid hard surfaces that may damage the product
2. Take care when lifting. Product should be assembled as near as possible to the point of use
3. Ensure that you have all required contents for complete assembly.
4. Always read the assembly instructions carefully before beginning assembly.
5. Keep all hardware parts and packaging out of reach of small children.
6. Do not over tighten the screws and bolts as this may damage the threads

 ALLOW 60 MINUTES	 2 PEOPLE REQUIRED
 ⊕ ADDITIONAL TOOLS REQUIRED	

 TIPPING WARNING 	
	<p>Serious or fatal injuries may occur from furniture toppling over. To help avoid this please follow the below recommendations:</p> <ul style="list-style-type: none">• Install the provided "Tipping Kit" as per the instructions• Never allow children to climb on or hang off of any part of this product• Unless specifically designed to accommodate, do not set TVs or other heavy objects on top of this product <p>If this product has drawers:</p> <ul style="list-style-type: none">• Place the heaviest items in lowest drawers• Do not open more than 1 drawer at a time as this may cause the product to become unbalanced• Do not tamper with or remove any drawer interlocking/running system <p>Note: The use of the provided "Tipping Kit" may reduce but not necessarily eliminate the risk of furniture toppling over. Please use this product with caution.</p> <p><i>This is a permanent label. Do not attempt to remove!</i></p>

67902

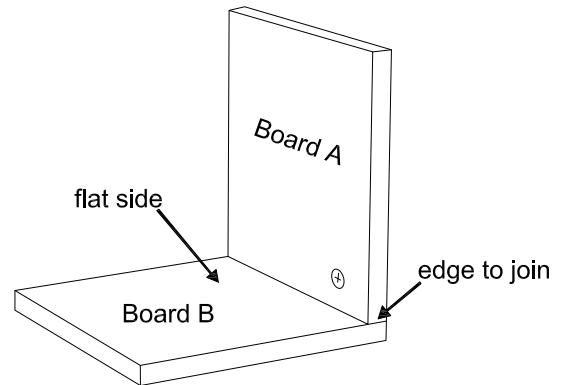
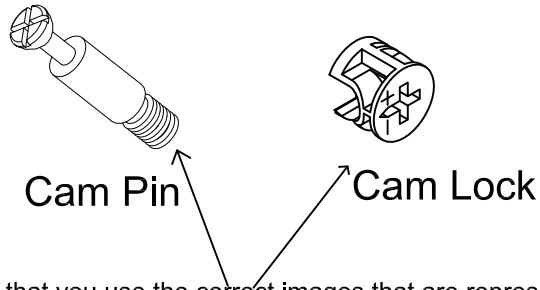
CAM Lock and Pins

step 1

HOW TO USE CAM LOCK FASTENERS

To assemble this product hardware called Cam Lock Fasteners are used. The below is information on how these work.

Cam Locks are fasteners used to join two boards together, usually the edge of one board(A) to the flat side of another board(B)



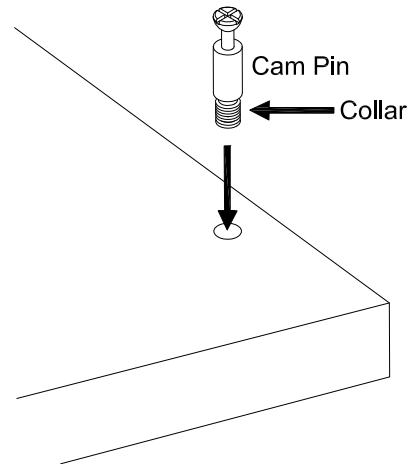
Ensure that you use the correct images that are representative of the hardware used in the product

step 2

To use Cam Lock Fasteners

The Cam Pin is inserted into the flat side of a board, it is important that:

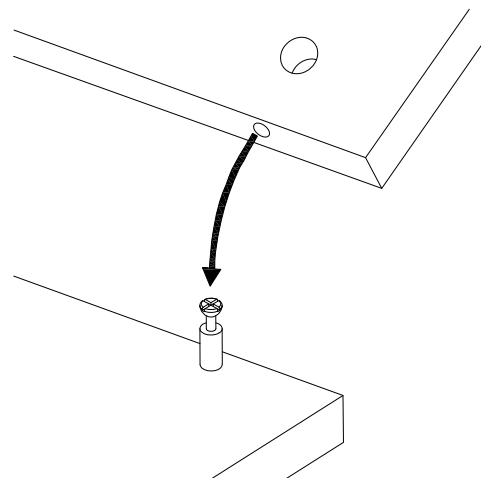
- * The cam pin is kept vertical and is not put in on an angle
- * Cam Pin is inserted up to the collar
 - * Too far and it wont catch the Cam Lock (Do not Over Tighten)
 - * Not enough and the resulting product wont be stable



step 3

To use Cam Lock Fasteners

Now fit the hole in the edge of the joining board over the Cam Pin



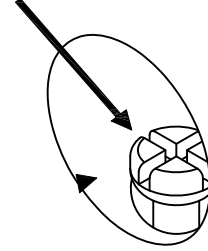
67902

step 4

To use Cam Lock Fasteners

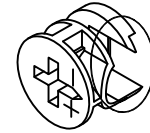
The Head of the Cam Pin will be visible in the large hole on the side of the joining board

head of the Cam Pin



To use Cam Lock Fasteners

Notice the Cam Lock has a "C" Shaped back An Arrow or +/- signs on the front, indicated the open section on the back of the Cam Pin



Cam Lock

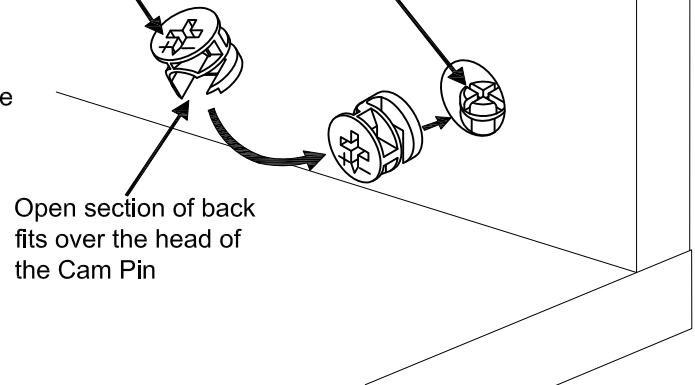
step 5

To use Cam Lock Fasteners

In sert the Cam Lock into the large hole so the opening of the "C" fits over the head of the Cam Pin. You must ensure that the Cam Lock is pushed to the bottom of the hole to catch the top of the Cam Pin

Arrow or +/- signs

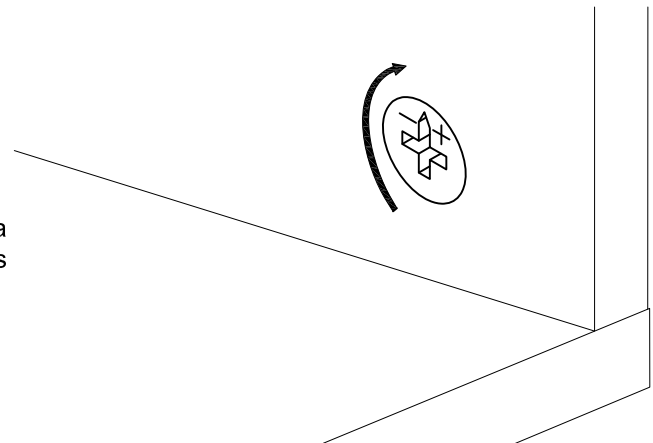
head of the Cam Pin



step 6

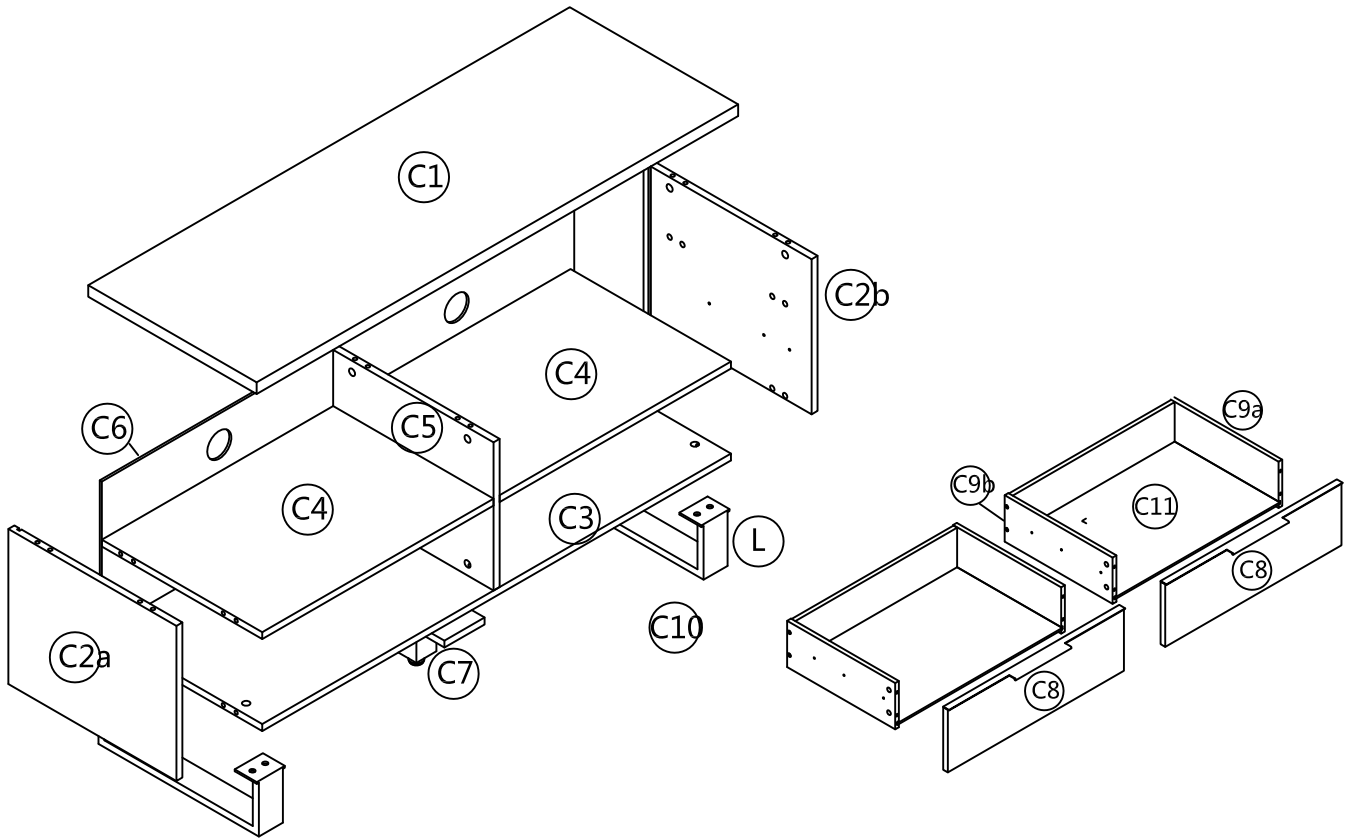
To use Cam Lock Fasteners

Use a flat screwdriver to turn the Cam Lock clockwise one half a turn so it Locks onto the head of the Cam Pin. Turn only until it is snug-over-tightening could cause the Cam to bend or break. If it will not turn the full amount, turn the Cam Pin out (counter-clockwise) one full turn, and try the Cam Lock again.


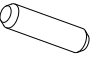
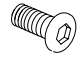
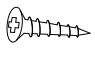

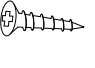

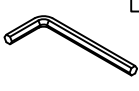
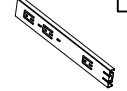
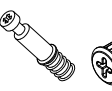
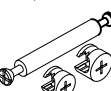
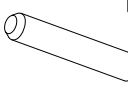
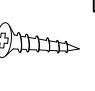
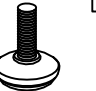



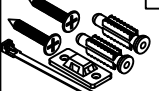


67902

PARTS LIST



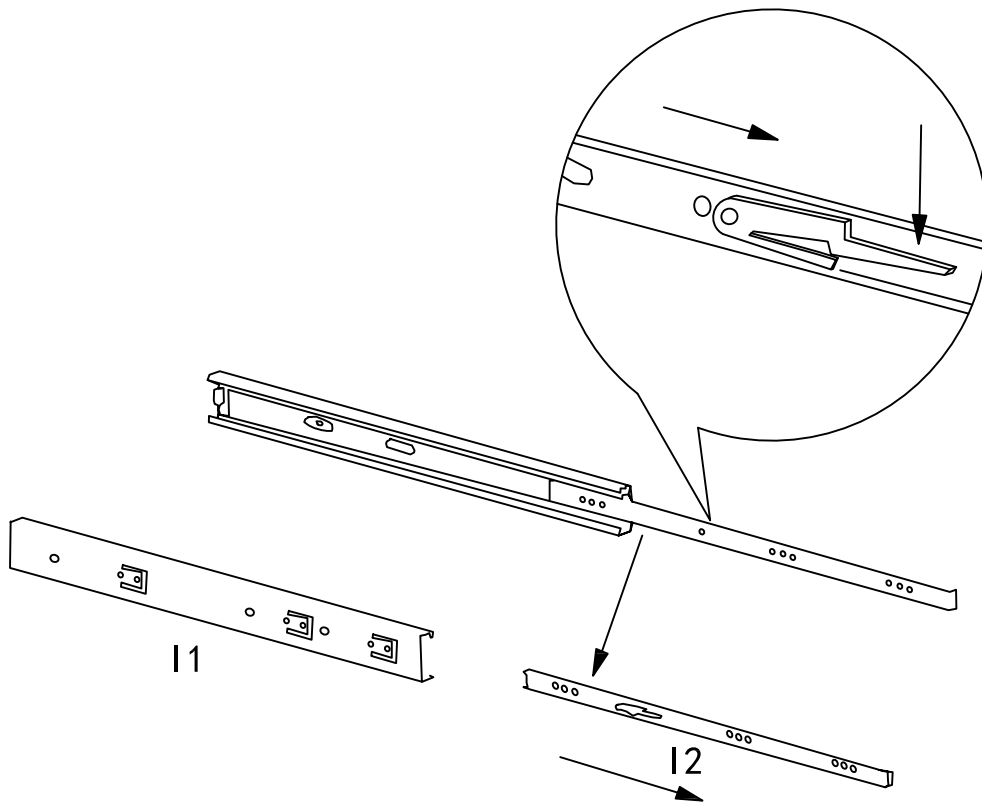
C1	Top Panel	C7	Bottom Support Leg
C2a	Left side Panel	C8	Drawer Front Panel
C2b	Right side Panel	C9a	Drawer Right side Panel
C3	Bottom Panel	C9b	Drawer Left side Panel
C4	Shelf Panel	C10	Drawer Back Panel
C5	Support Panel	C11	Drawer Bottom Panel
C6	Back Panel	L	Leg

A.Cam lock and Cam pin Ø15X32  16PCS	B.Dowel Ø8X30  16PCS	C.Bolt Ø8X15  8PCS	D.Screw Ø3.5X12  24PCS	E.Screw Ø3.5X30  8PCS	F.Screw Ø3X18  4PCS	G.Connector  4PCS	
H.Allen Key SMM  2PCS	I.Runner 400mm  4PCS	J.Cam lock and Cam pin Ø12X27  8PCS	K:Cam lock and Cam pin Ø7X66  2PCS	L:Dowel Ø8X50  2PCS	M.Screw Ø3.5X25  4PCS	N.Adjust leg M6x31  1PCE	
O.Bolt Ø8X25  1PCE	P.T Nut  8PCS	Q.Cover Ø20  6PCS	R.Belt  1PCE				

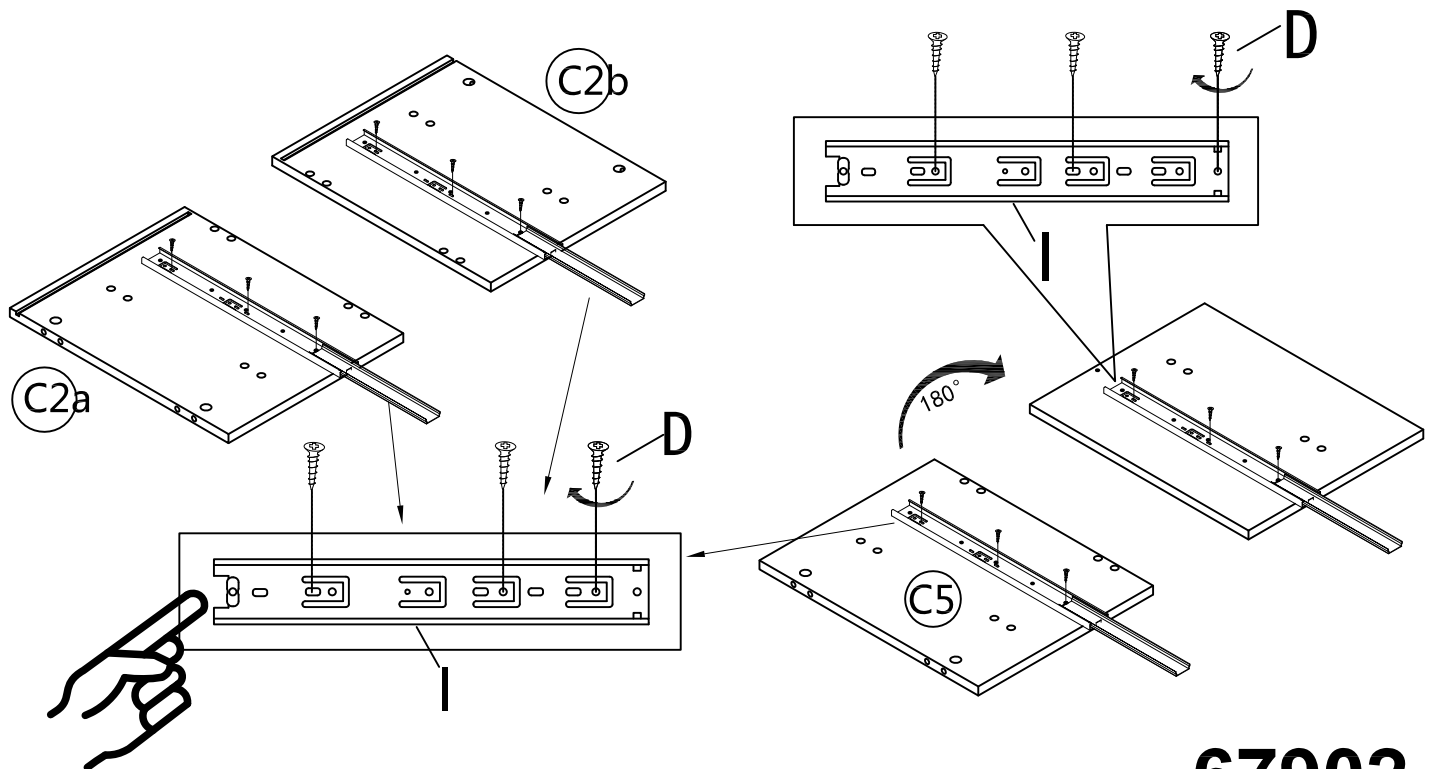
67902

Step1:Runner slide separately(I=I1+I2)

Carefully pull out the runner slide(I2)and press plastic clip to fully separate runner slide as diagram shown

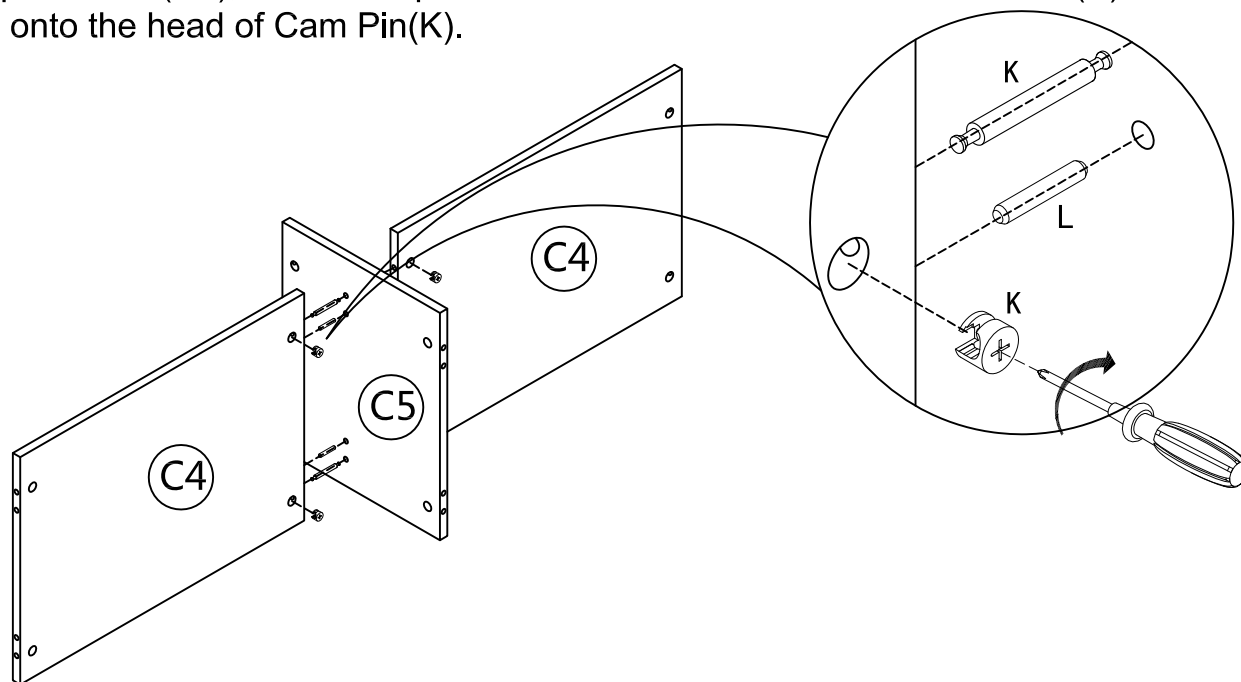


Step2:Use a Phillips Head Screwdriver to tighten the Runner(I1)to the Left side Panel(C2a), Right side Panel(C2b)and Support Panel(C5)with Bolt(D).

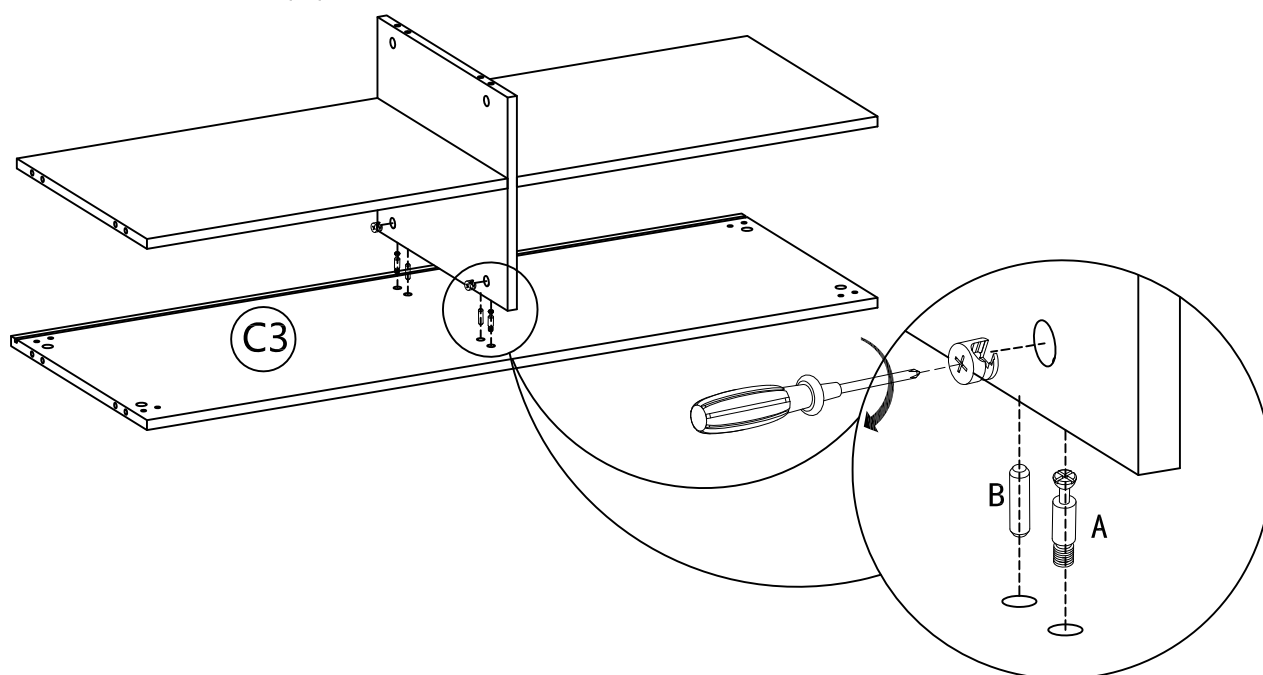


67902

Step3:Use a Phillips Head Screwdriver to insert the Cam Pin(K)to the Support Panel(C5),
Insert the Dowel(L)to the Shelf Panel(C4),Assemble the Shelf Panel(C4)to the
Support Panel(C5),Use a Phillips Head Screwdriver to turn the Cam Lock(K)to
lock onto the head of Cam Pin(K).

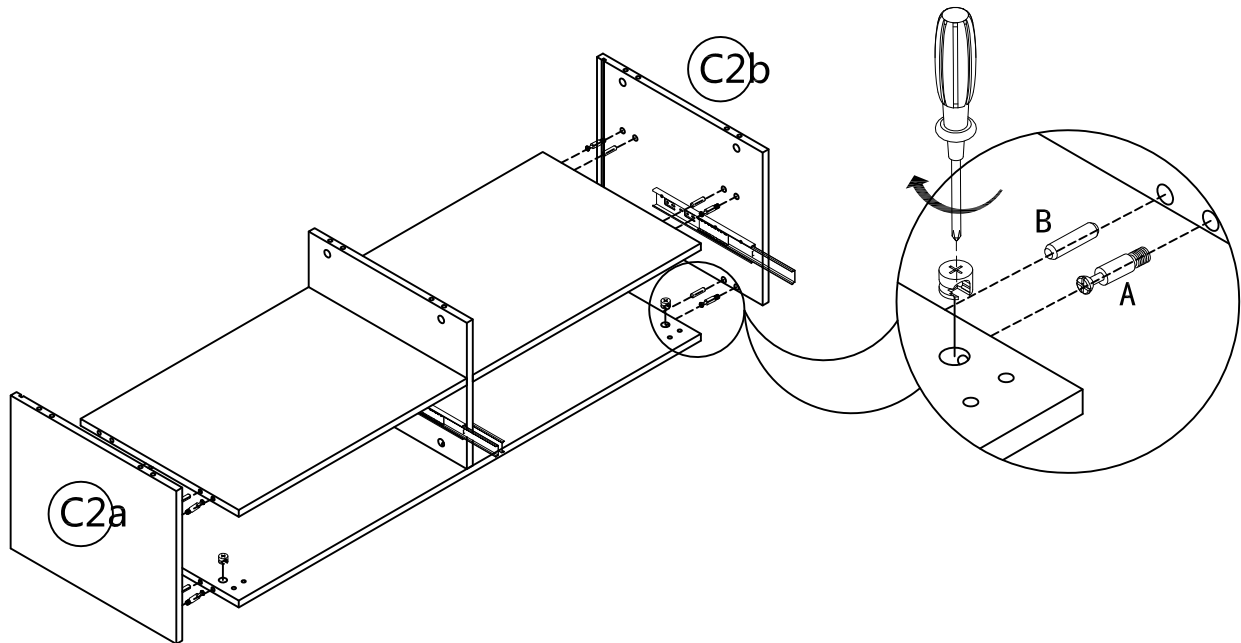


Step4:Use a Phillips Head Screwdriver to insert the Cam Pin(A)to the Bottom Panel(C3),
Insert the Dowel(B)to Support Panel(C5),Assemble the Support Panel(C5)to the Bottom
Panel(C3),Use a Phillips Head Screwdriver to turn the Cam Lock(A)to lock onto
the head of Cam Pin(A).

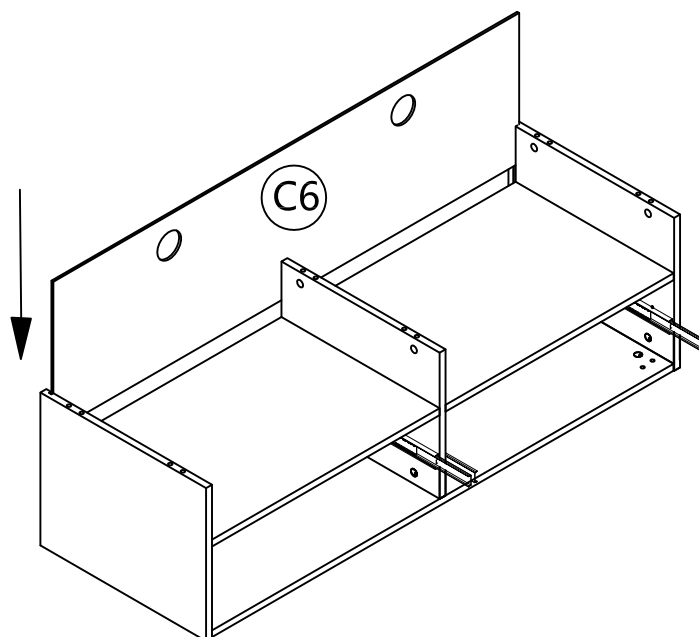


67902

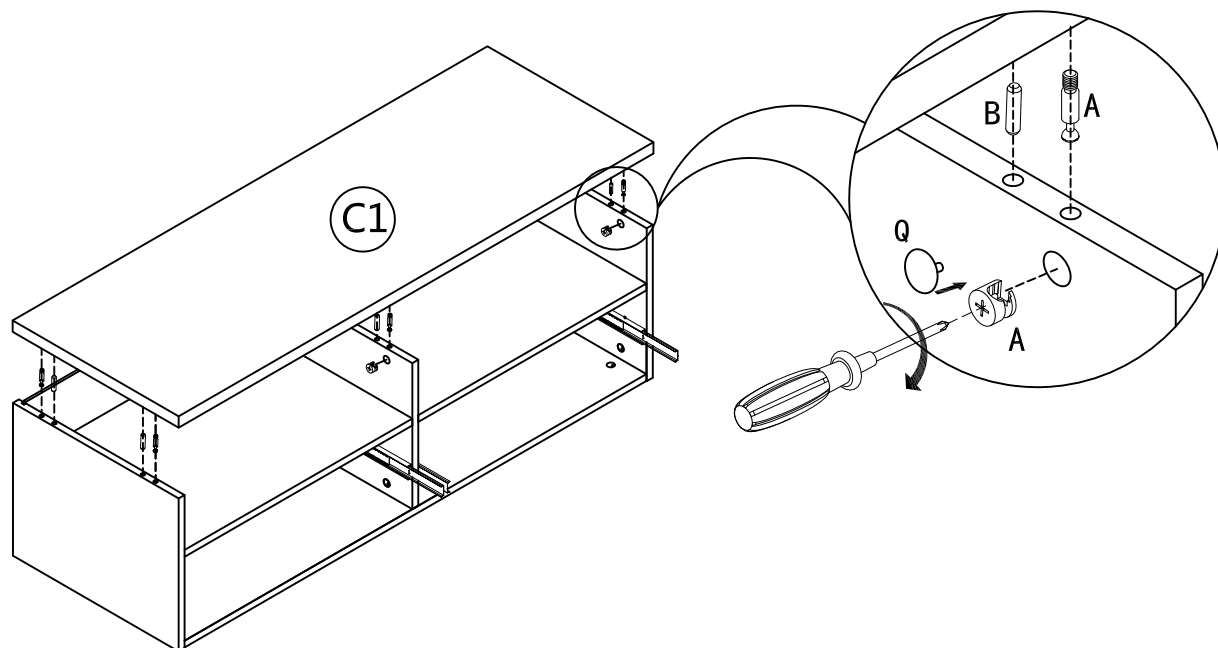
Step5:Use a Phillips Head Screwdriver to insert the Cam Pin(A)to the Left side Panel(C2a)and Right side Panel(C2b),Insert the Dowel(B)to the Shelf Panel(C4)and Bottom Panel(C3), Assemble the Left side Panel(C2a)and Right side Panel(C2b)to the Shelf Panel(C4)and Bottom Panel(C3),Use a Phillips Head Screwdriver to turn the Cam Lock(A)to lock onto the head of Cam Pin(A).



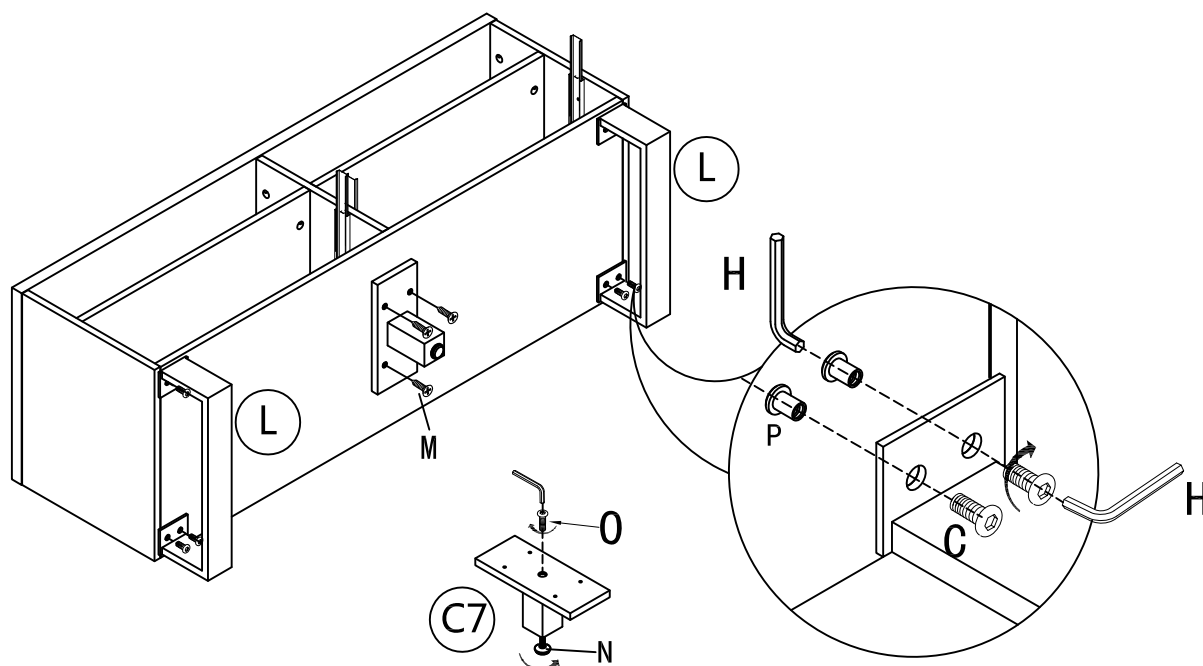
Step6:Insert the Back Panel(C6)to the groove.



Step7:Use a Phillips Head Screwdriver to insert the Cam Pin(A)to the Top Panel(C1),Insert the Dowel(B)to the Left side Panel(C2a), Right side Panel(C2b)and Support Panel(C5), Assemble the Top Panel(C1)to the Left side Panel(C2a), Right side Panel(C2b)and Support Panel(C5),Use a Phillips Head Screwdriver to turn the Cam Lock(A)to lock onto the head of Cam Pin(A),then put the Cover(Q)on the head of Cam Lock(A).

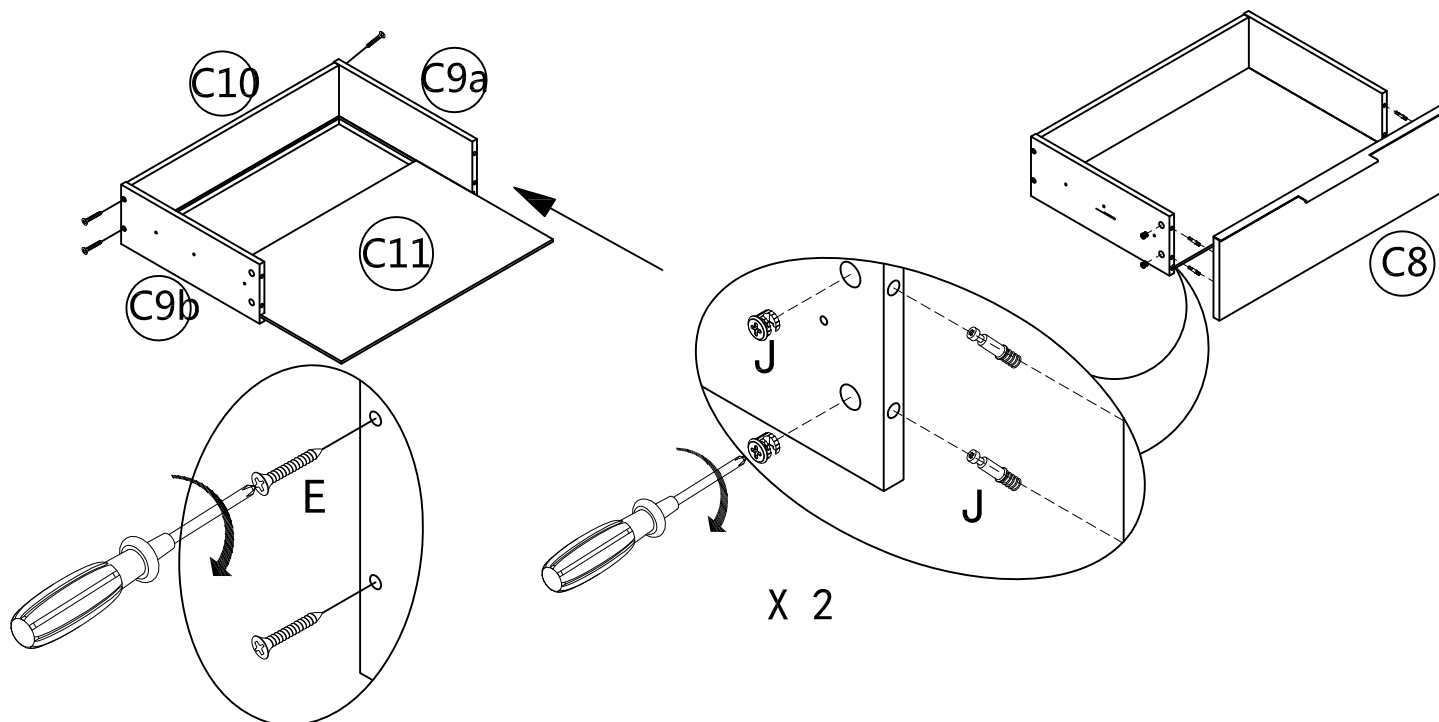


Step8.Use Hex Key(H)to tighten the adjustable foot screw(N)to the Bottom Support Leg(C7) with Bolt(o),Use Hex Key(H)to tighten the Bottom Support Leg(C7)to the Bottom Panel(C3)with Bolt(M),Tighten the Leg(L)to the Bottom Panel(C3) with Bolt(C)and Bolt(P).

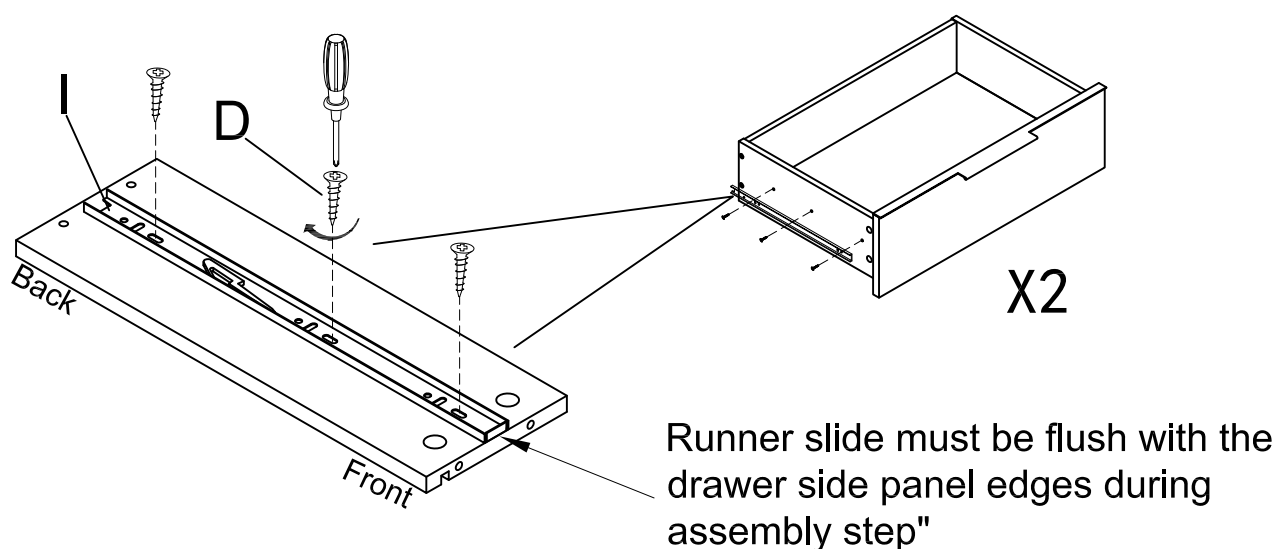


67902

Step9. Use a Phillips Head Screwdriver to tighten the Drawer Right side Panel(C9a) and Drawer Left side Panel(C9b) to the Drawer Back panel(C10) with Bolt(E), then insert the Drawer Bottom Panel(C11) to the groove, Use a Phillips Head Screwdriver to insert the Cam Pin(J) to the Drawer Front Panel(C8), Assemble the Drawer Front Panel(C8) to the Drawer Right side Panel(C9a) and Drawer Left side Panel(C9b), Use a Phillips Head Screwdriver to turn the Cam Lock(J) to lock onto the head of Cam Pin(J).

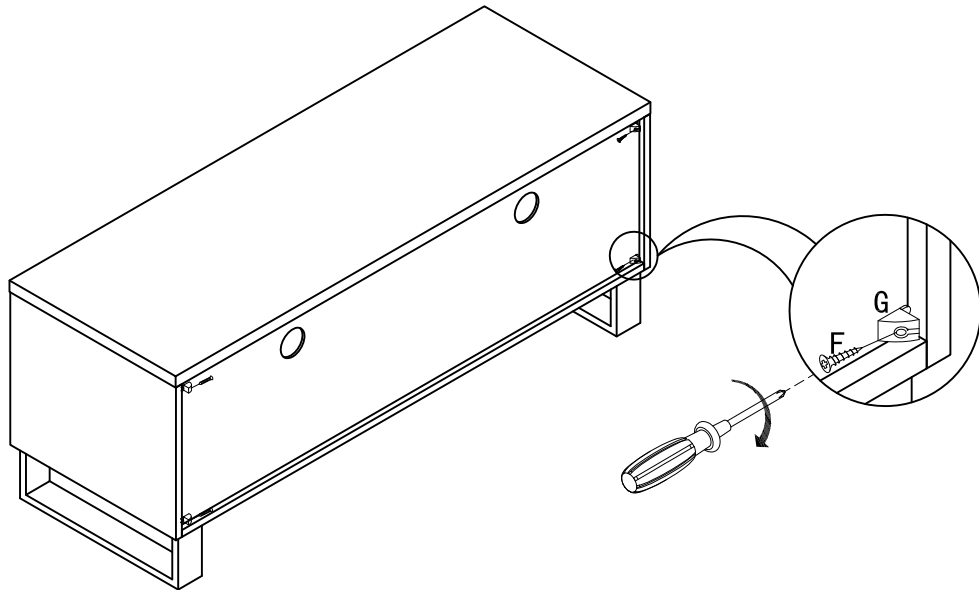


Step10. Use a Phillips Head Screwdriver to tighten the Runner(I2) to the Drawer Right side Panel(C9a) and Drawer Left side Panel(C9b) with Bolt(D).

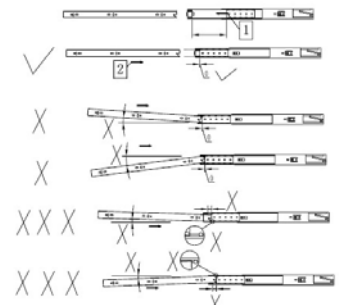
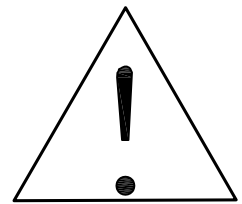
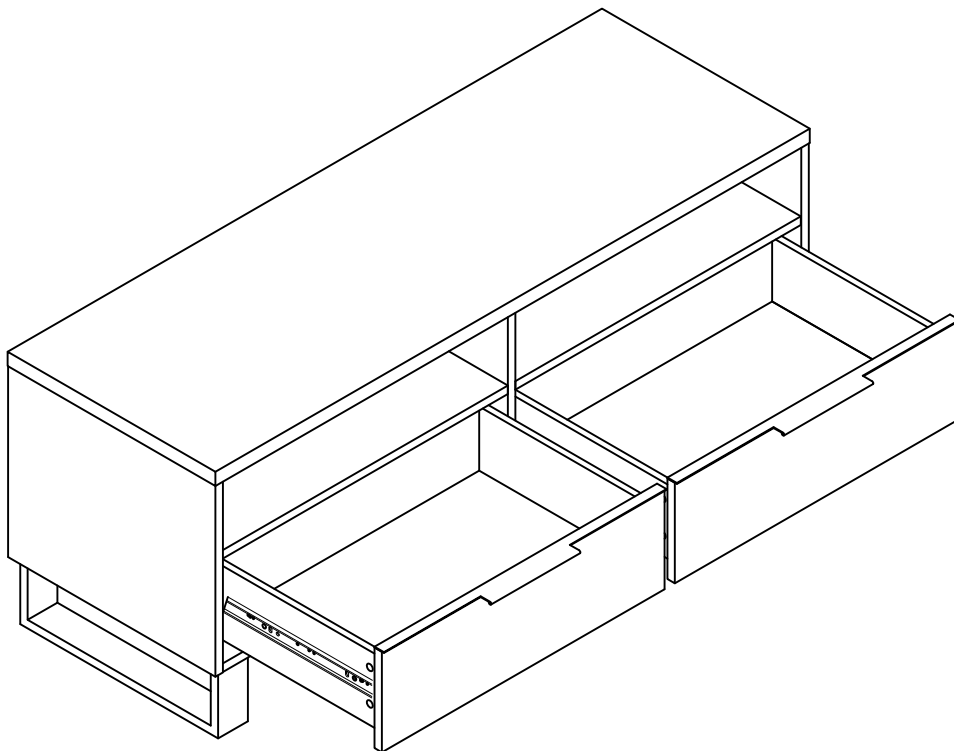


67902

Step 11. Use a Phillips Head Screwdriver to tighten the Connector (G) to the back corner with Bolt (F).

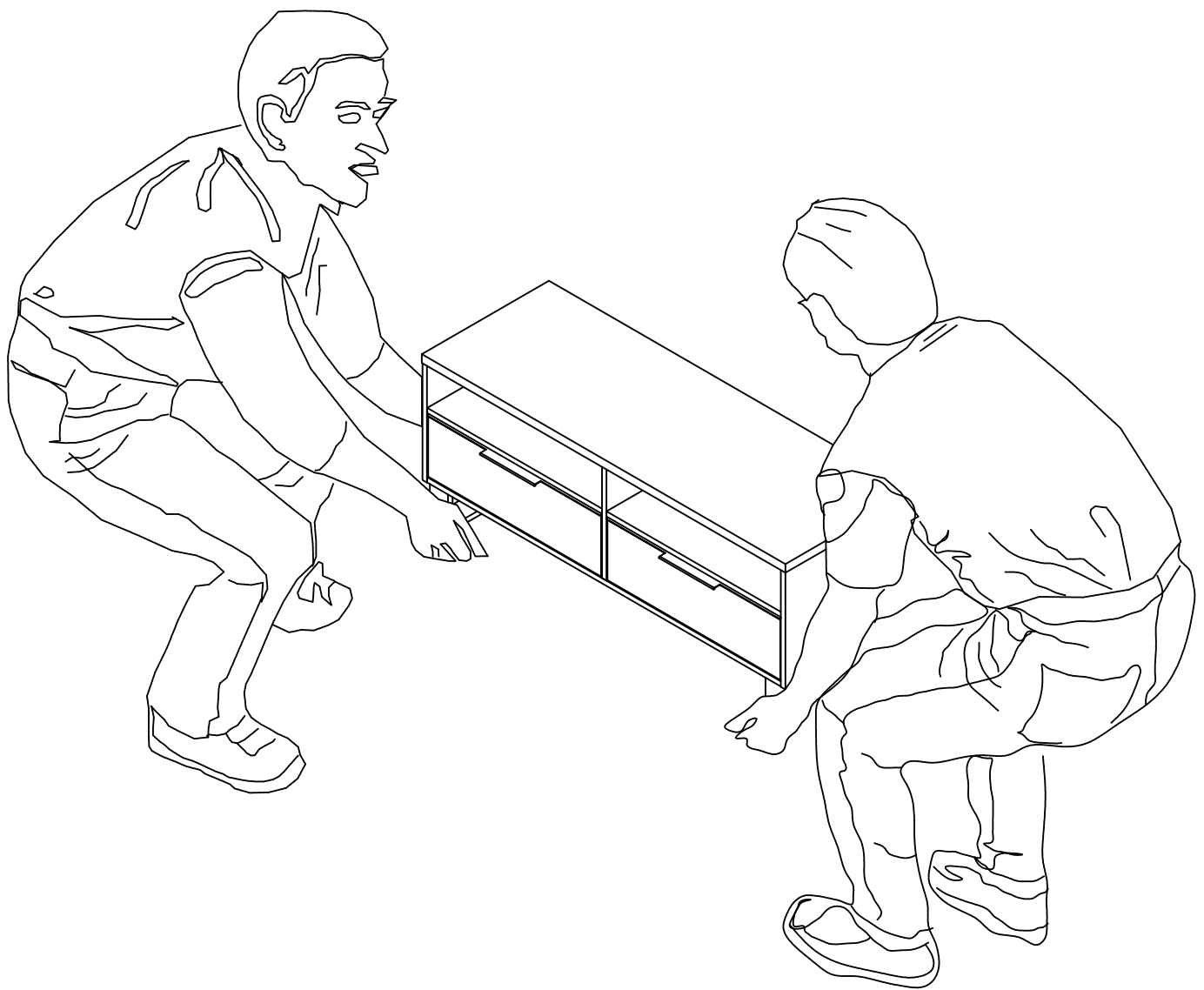


Step 12. Insert the Drawers into the body.



Note -

Do not drag the furniture as this may cause damage to the legs. Instead, use 2 persons to lift carefully with caution from either end.



SAFETY BRACKETS INSTRUCTIONS

This furniture poses a tipping risk and as such must be secured to a wall using the provided tipping kit.

1. Attach one Mounting Plate to the wall with the Large Screws. Make sure to attach the Mounting Plate into a stud. If mounting into brick or masonry you will need to acquire wall anchors. Please enquire with your local hardware supplier for appropriate fixings.
2. Attach the second Mounting Plate to the furniture frame with the Short Screws.
3. Move the furniture to its final position. Thread a Wall Strap through the both Mounting Plates and tighten until snug. Do not over tighten.
4. Make sure that the Mounting Plates are firmly attached to the wall and furniture and that the Wall Strap is snug.

HARDWARE



Mounting Plate x 2



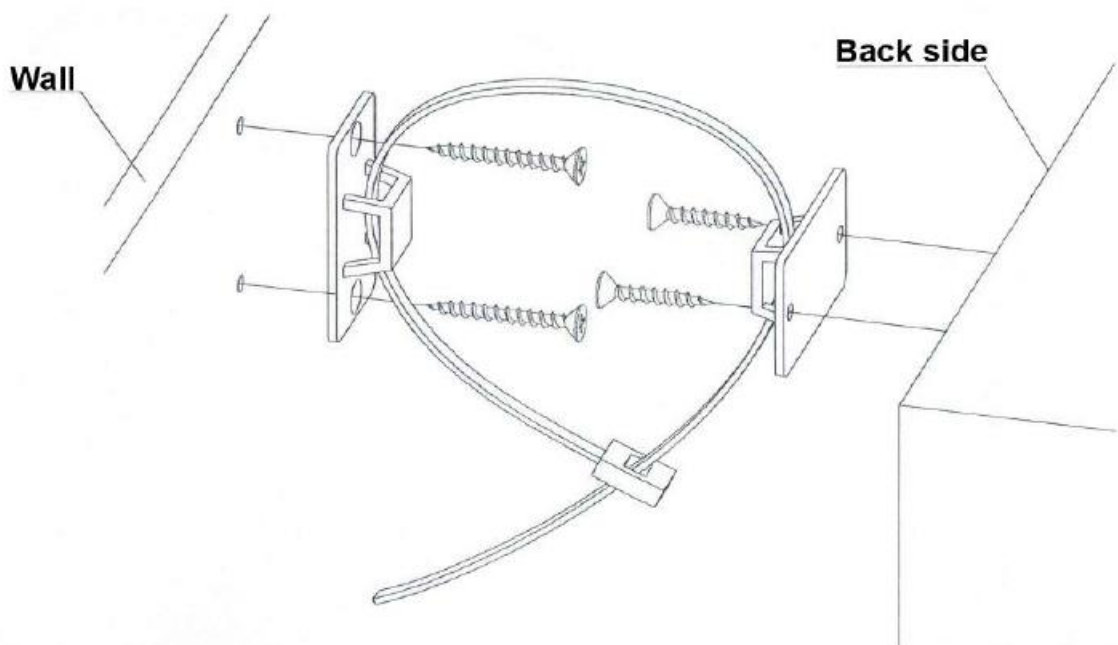
Wall Strap x 1



Large Screw x2



Small Screw x2



IMPORTANT: CARE GUIDE FOR YOUR HI-GLOSS FURNITURE

Congratulations! You have just purchased a quality product from Amart Furniture, Australia's largest discount furniture retail store. Please read on for important information regarding your purchase...

Hi-gloss lacquered furniture is more sensitive to marks and scratching than some other furniture products. It is important to exercise caution and care to maximise the life and beauty of this product.

Following the below simple guidelines when using your hi-gloss product will protect your investment for years to come:

- Dust frequently with a clean damp, lint-free cloth. This will help remove abrasive build up which can damage a finish over time.
- Avoid using chemicals or solvents when cleaning the product.
- Do not place hot objects on any furniture surface. Always use a hot plate or placemat. Lacquer finishes provide added scratch and heat resistance to our furniture, but they can still be damaged without proper care.
- Avoid exposing your furniture to strong sunlight. Prolonged exposure to direct sunlight can fade the finish of your furniture.
- Do not expose your furniture to any liquids. Avoid allowing water to sit on your furniture. Alcohol, nail polish and perfume are particularly harmful as they will dissolve the lacquer finish on contact.
- Do not allow plastic to come in direct contact with your furniture. Chemicals in the plastic of some placemats etc may soften and mark the finish if left in contact with the furniture for a period of time.
- Avoid placing sharp or rough objects on the surface of your furniture. These may scratch the surface of the product.
- When moving your furniture, do not drag it across the floor. This may damage the product. Instead use two people to lift carefully with caution from either end.